

# DRAFT CONTROL ACTUATOR

Model JC-22-PL2-1006

## Introduction

The Preferred Instruments **JC-22-PL2-1006** is a linear actuator with an integral microprocessor-based draft controller and a solid state draft range pressure sensor.

The **JC-22-PL2-1006** is housed in a durable metal enclosure with a removable cover.

The **JC-22-PL2-1006** is a direct replacement for the *Hays Cleveland CDR* model # 9502-1012-B-8.

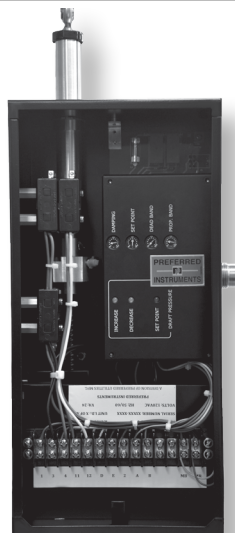
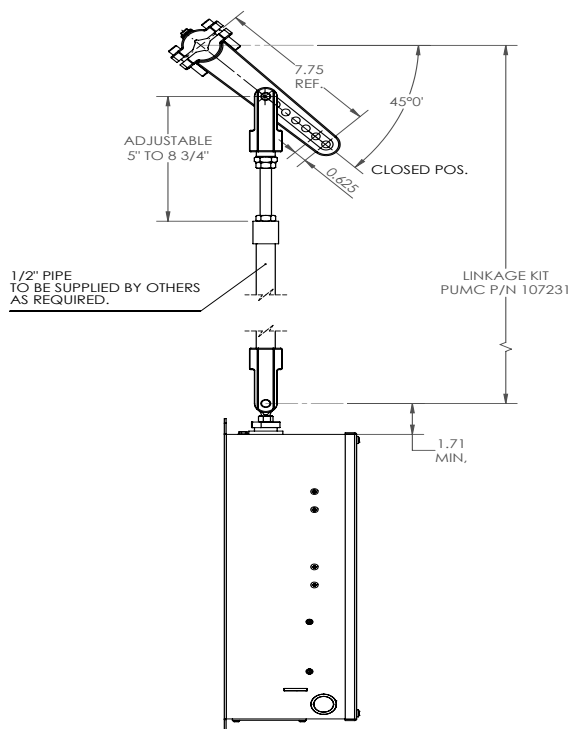
The **JC-22-PL2-1006** provides automatic modulation for any negative or positive draft application.

## Specifications

Weight & Dimension: 21 lbs. 17.5" L x 7.5" W x 5.9" H  
 Power Requirements: 120 VAC, 50/60Hz, 360 VA  
 Motor: 72 RPM synchronous motor  
 Sample Connection: 1/4" NPT female fitting  
 Ambient Temp Range: 0 to 140F (-18 to 60C)

## Application

Travel: 6 inch linear, 60 sec. stroke  
 Thrust: 150 lbs  
 User Auxiliary Switch: Damper Fully Open, 16A, 250VAC  
 Set Point: Adjustable, 0 to +2.0" w.c. or 0 to -2.0" w.c. (field selectable)  
 Dampening: Adjustable, 1.5 to 15 seconds for 90% response to a step change  
 Dead Band: Adjustable, 0.01 to 0.08" w.c.  
 Proportional Band: Adjustable, 0.03 to 0.2" w.c. (deviation from set point required to run at full speed)



## Operation

Offers a 6-inch range of travel with a 60-second nominal stroke time. The **JC-22-PL2-1006**'s thrust range is rated at 150 lbs with a cool-running 72 RPM synchronous motor.

The actuator is self locking in the "last" position if there is a power loss.

Preferred's **JC-22-PL2-1006** interfaces with your burner management system:

The **JC-22-PL2-1006** is a sequencing draft controller.

Includes burner management interfacing relays for automated open damper during purge, and closed damper after shutdown.

Includes an automatic/ open selector switch. This allows the user to blow soot without interrupting the burner firing and allows the burner to fire in the "open" damper mode under emergency conditions.

